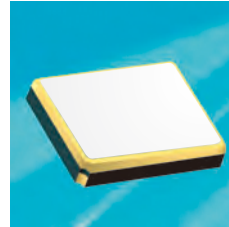




■ Features

- > 2520 size miniature and lightweight SMD crystal resonator with a low profile of 0.60mm.
- > Excellent heat resistance, High precision. and high reliability.
- > Offers a wide frequency range from a comparatively low 12MHz up to 66MHz.



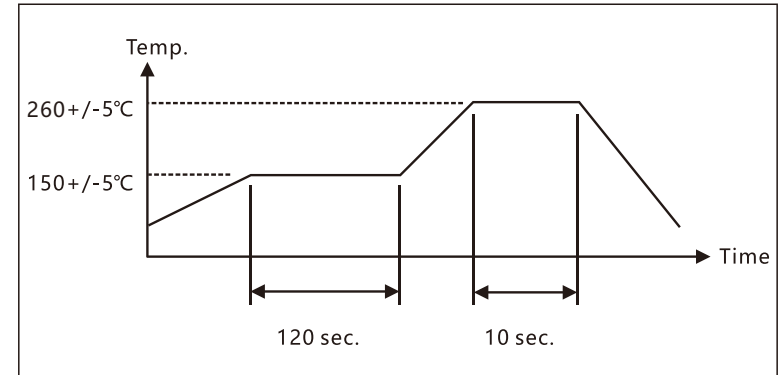
■ Electrical Specifications

Item / Type	SMD 2520
Frequency Range	12 ~ 66 MHz
Frequency Tolerance (at 25°C)	± 10 ppm, or specify
Frequency Stability Over Operating Temperature Range	± 20 ppm, or specify
Operating Temperature Range	-20 ~ +70 °C, -40 ~ +85°C, -40~105°C or specify
Shunt Capacitance (C0)	3 pF Max.
Drive Level	100 μW Max.
Load Capacitance	8 pF, 10 pF, 12 pF, or specify
Aging (at 25°C)	±1ppm/year Max ±2ppm/year Max ±3ppm/year Max
Storage Temperature Range	-55~+150°C

■ Equivalent Series Resistance (ESR)

Fundamental	
12 ~ 30 MHz	100 Ω Max.
30 ~ 66 MHz	60 Ω Max.

■ Reflow Condition



■ Dimensions

